

D6004

SIL3 Pass-Through Module

The Pass-Through D6004 module puts into direct connection the system with the field for a flexible marshalling. It is suitable for applications requiring SIL 3 level in safety related systems for high risk industries. It also provides over-voltage and over-current protections and it supplies 3/4-wire transmitters through the power supply of the Termination Board.

FEATURES

- SIL 3 / SC 3
- Installation in Zone 2
- Installation in Div. 2
- Suitable for 2/3/4-wire transmitters
- High Density, two channels per unit

TECHNICAL DATA

Supply

24 Vdc nom (20 to 30 Vdc), from Termination Board.

Current rating: 0.5 A (resettable fuse protected), with linear derating down to 0.4 A, from 25 to 70 °C.

Input/Output

Voltage rating: 30 V.

Current rating: 0.1 A (resettable fuse protected), with linear derating down to 0.05 A, from 25 to 70 °C.

Environmental conditions

Operating temperature: temperature limits -40 to +70 °C.

Storage temperature: temperature limits -45 to +80 °C.

Mounting

On custom Term. Board.

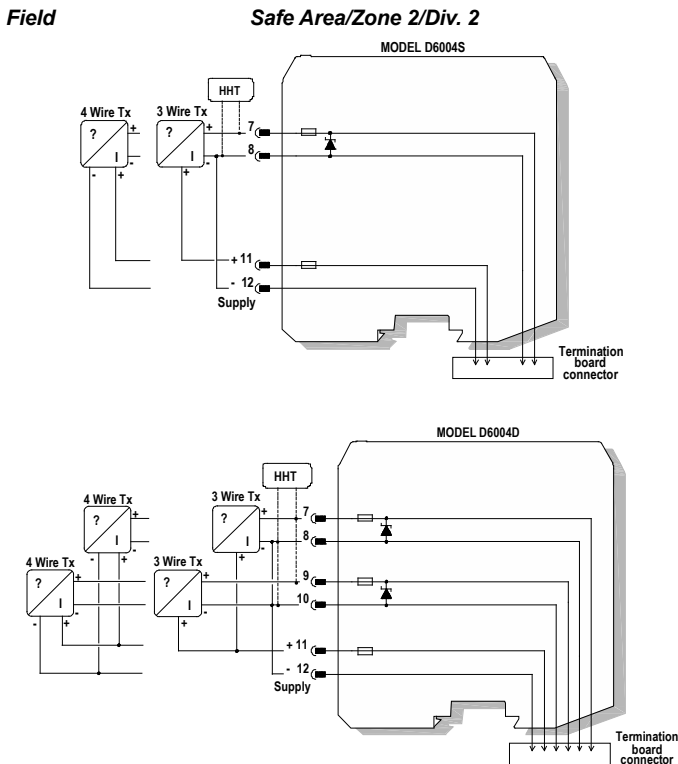
Weight: about 100 g.

Connection: by polarized plug-in disconnect screw terminal blocks to accommodate terminations up to 2.5 mm² (13 AWG).

Dimensions: Width 12.5 mm, Depth 123 mm, Height 120 mm.

FUNCTION DIAGRAM

Additional installation diagrams may be found in Instruction Manual.



ORDERING INFORMATION

D6004S: 1 channel

D6004D: 2 channels